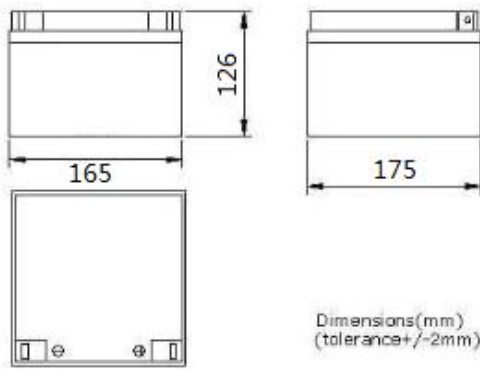




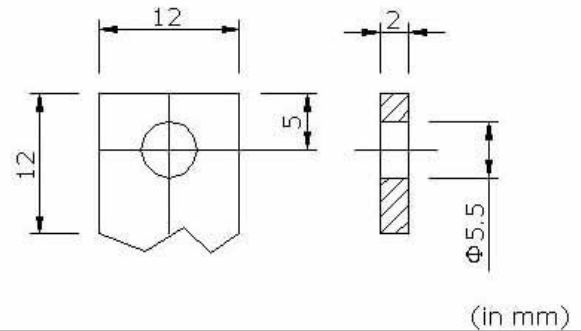
NP24-12(12V24Ah)

PHYSICAL SPECIFICATION

Nominal Voltage		12V	
Nominal Capacity (10HR)		24Ah	
Dimension	Length	175±2mm	(6.89 inches)
	Width	165±2mm	(6.50 inches)
	Container Height	126±2mm	(4.96 inches)
	Total Height	126±2mm	(4.96 inches)
Weight		Approx. 7.5 Kg (16.5lbs)±5%	
Standard Terminal		Bolt-and-nut terminal Bolt Type: M5	



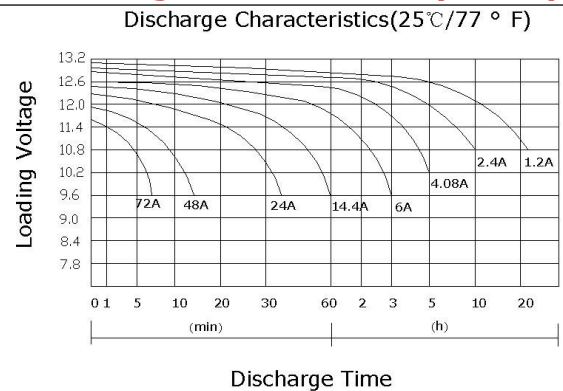
B3(Bolt-and-nut terminal)
Bolt Type:M5



ELECTRICAL SPECIFICATION

Characteristics		
Capacity	10 hour rate (2.4A)	24Ah
	5 hour rate (4.08A)	21Ah
	3 hour rate (5.8A)	18Ah
	1 hour rate (14.4A)	14.4Ah
Capacity affected by temperature	40°C (104 °F)	102%
	25°C (77 °F)	100%
	0°C (32 °F)	85%
Internal Resistance		Full charged battery (25°C,77 °F) 15m Ω ≤
Constant Voltage Charge	Cycle	Initial Charging Current less than 6A Voltage 14.1~14.4V at 25°C (77 °F) Temperature Coefficient -30mV/°C
	Standby	No limit on Initial Charging Current Voltage 13.5~13.8V at 25°C (77 °F) Temperature Coefficient -20mV/°C

Discharge curves @ 25°C (77 ° F)



CONSTANT CURRENT DISCHARGE RATING A@25°C

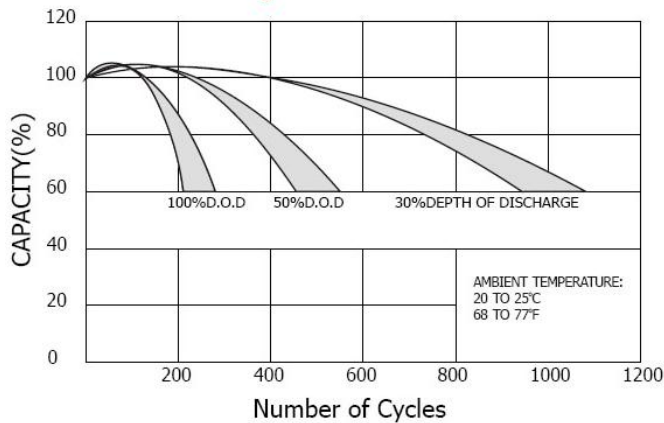
F.V/TIME	5MIN	10MIN	15MIN	30MIN	1HR	3HR	5HR	10HR	20HR
1.60V	84.0	57.6	42.0	25.2	15.9	6.55	4.58	2.55	1.28
1.67V	75.6	52.5	40.8	24.5	15.7	6.53	4.55	2.51	1.27
1.70V	71.7	50.7	39.3	24.0	15.6	6.51	4.53	2.48	1.27
1.75V	63.9	46.8	37.2	23.5	15.4	6.48	4.50	2.45	1.26
1.80V	57.6	43.5	35.5	22.8	15.2	6.45	4.47	2.40	1.23

CONSTANT POWER DISCHARGE RATING WATT PER CELL@25°C

F.V/TIME	5MIN	10MIN	15MIN	30MIN	1HR	3HR	5HR	10HR	20HR
1.60V	138	95.1	74.4	47.5	31.2	13.0	8.76	5.09	2.53
1.67V	131	94.2	73.7	46.5	30.2	12.8	8.76	5.01	2.52
1.70V	123	92.3	72.5	45.3	29.4	12.6	8.76	4.98	2.52
1.75V	114	85.9	68.1	44.1	29.1	12.3	8.67	4.89	2.51
1.80V	102	79.9	64.1	42.9	28.6	12.0	8.52	4.80	2.42

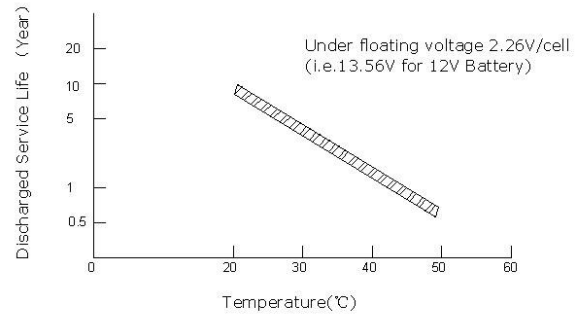
Cycle Service Life

Cycle service life

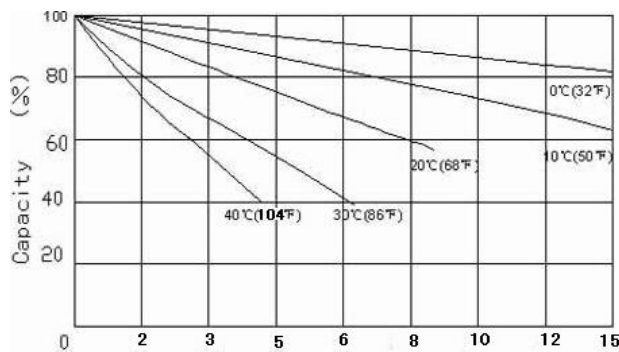


Trickle (or Float) Service Life

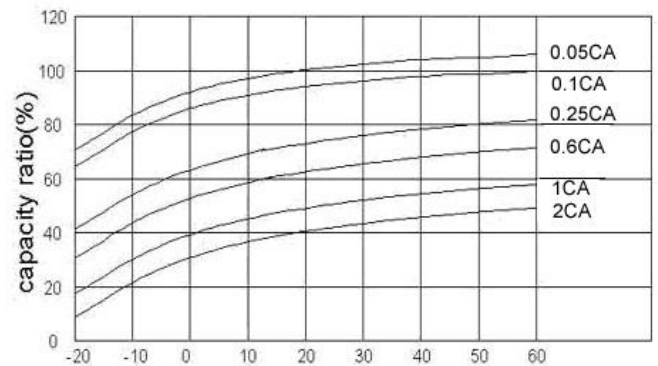
Float Service Life of MEDIUM batteries and MACRO Service



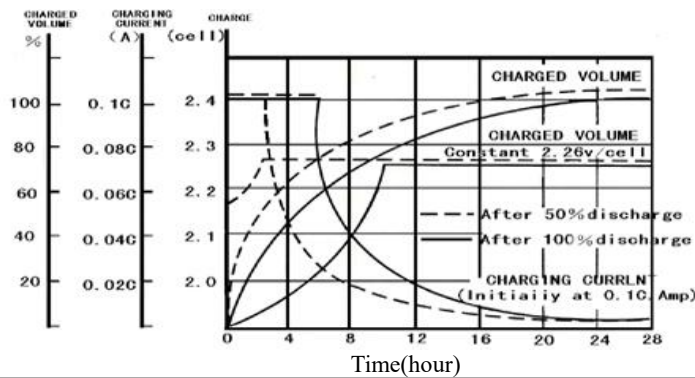
Storage Time (months)



Temperature and discharge capacity



Charging Characteristic



Storage Temperature	Supplementary Charge Interval	Charge Method
$\leq 20^{\circ}\text{C}$	Every 12 months	Less or 24 hours with a constant voltage of 2.3V/cell
$20-30^{\circ}\text{C}$	Every 8 months	12-18 hours with a constant voltage of 2.45V/cell
$\geq 30^{\circ}\text{C}$	Storage to be avoided	8-12 hours with a constant current of 0.05CA